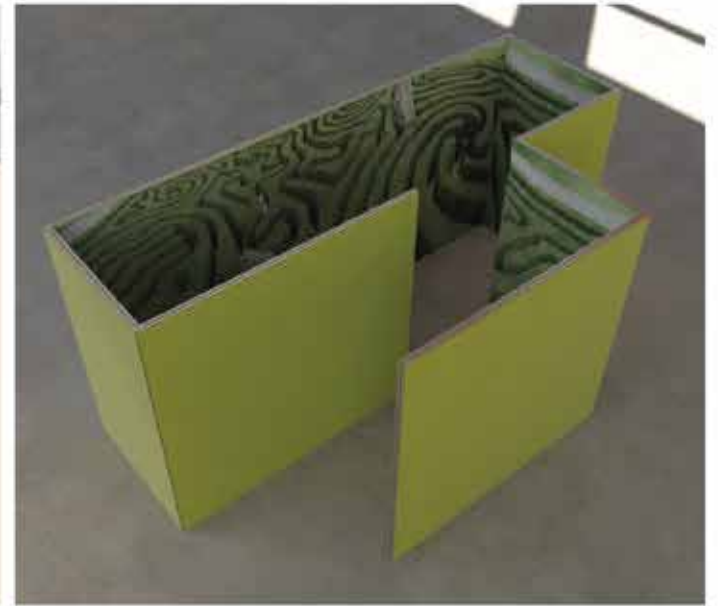




Stretch Modular Tension Fabric System

A seamless graphic display system.

Display System for exhibitions, events, retail and conference environments



Stretch Modular Tension Fabric System

The Stretch Modular Tension Fabric System is a market-leading graphic display solution, used throughout the retail, exhibition, motorsport and commercial interior environments.

The system consists of an aluminium profile with an integrated channel, which allows users to insert bespoke graphics with silicone edging that stretches across the surface of the frame.

This system now offers the option of seamlessly wrapping corners, creating room sets, break-out areas, suspended cubes and a wide variety of other display solutions.



How it works

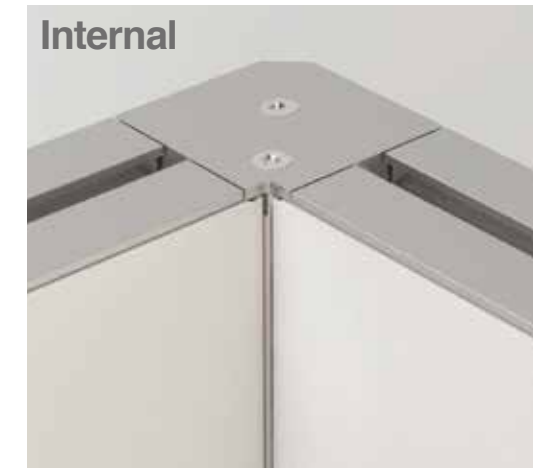
Internal & external seamless graphics

Stretch Modular

Stretch Modular Tension Fabric System

Stretch Modular specifically offers two channels for the insertion of fabric graphics with a silicone strip sewn onto the edge. This silicone strip fits precisely into the profile channel, gripping the fabric and stretching it across the display surface, leaving no creases.

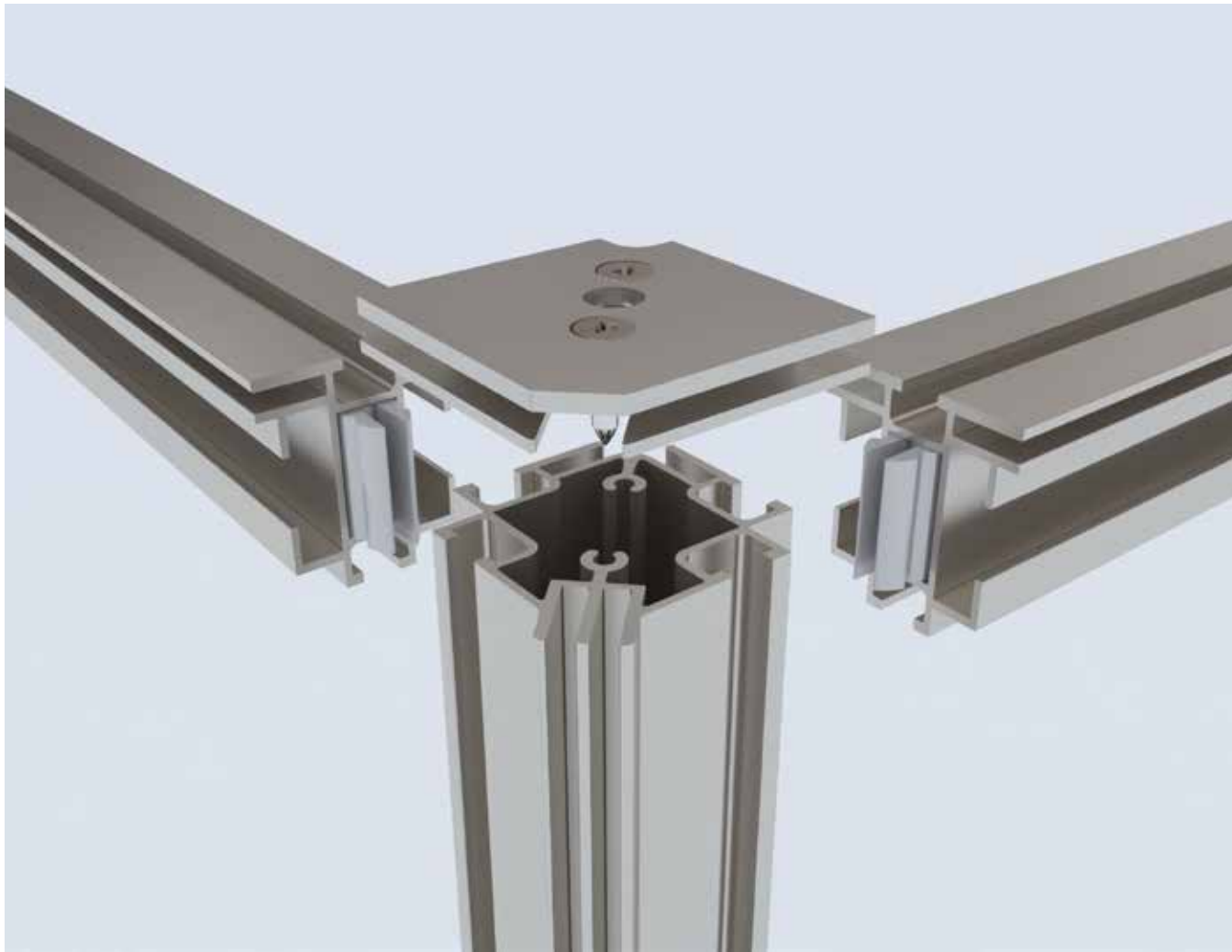
The same process applies for adding graphics in the internal channel, giving you or your client a complete graphic suitable for many locations.



Modular

Components

Stretch Modular



Components

Accessories

The little extras, but with big impact

Stretch Modular can be combined with a range of useful accessories.

01

Poseur table kit with 10mm thick acrylic circular top.

02

Acrylic literature holders available with left, right and centre brackets.

03

Steel literature holders available with left, right and centre brackets.

04

240V 150W swan neck lighting for illuminating graphics.

05

12V GU 5.3 LED swan neck spot light.

06

M8 eye bolt assembly, for hanging displays.

07

Rectangular foot plate - 445x76mm.

01



02



03



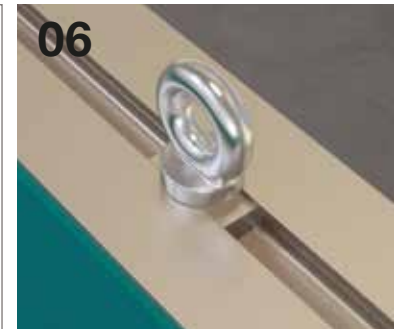
04



05



06



07



