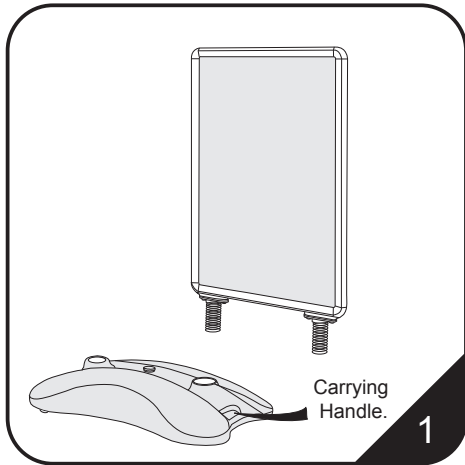


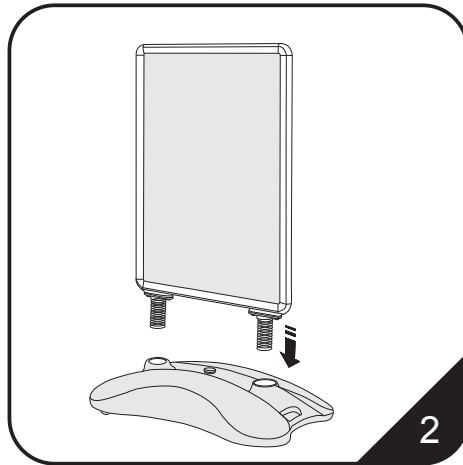
Recoil

Assembly Instructions (All sizes)

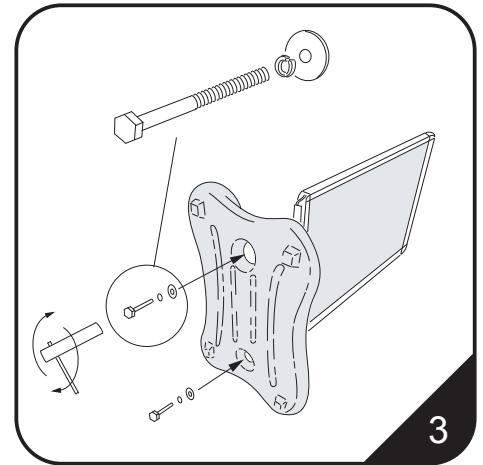
Note: to avoid any accidental loss of components, please do not dispose of packaging until the sign is fully assembled.



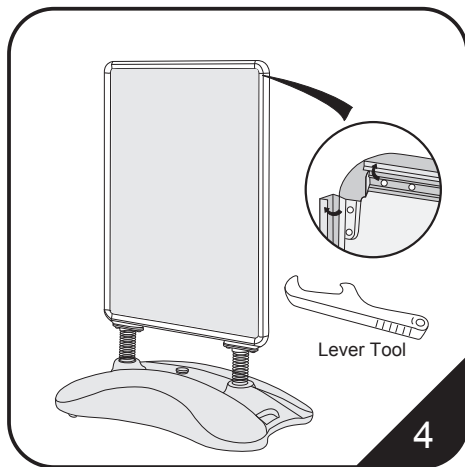
The cartons will contain a water-fill base and a poster frame.



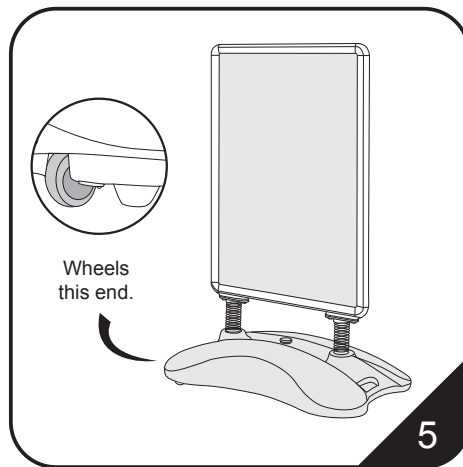
Insert the legs of the poster frame into the holes of the water-fill base.



Resting the poster frame on the ground, use the fixings shown to attach the water-fill base to the poster frame.



Use the lever tool to open the poster frame sides.



Place the poster in & then the clear plastic poster cover before closing the poster frame sides. Repeat for the second side. The sign is now ready to be moved.



Please fill with water, or use sand in the base.

Note: - the handle in the base is for carrying, pre-assembly and filling. To move the sign when assembled and with the base filled we recommend tilting the sign and moving as shown here.

Take care not to move the sign over high steps or kerbs. Always position the sign on an even flat surface.

