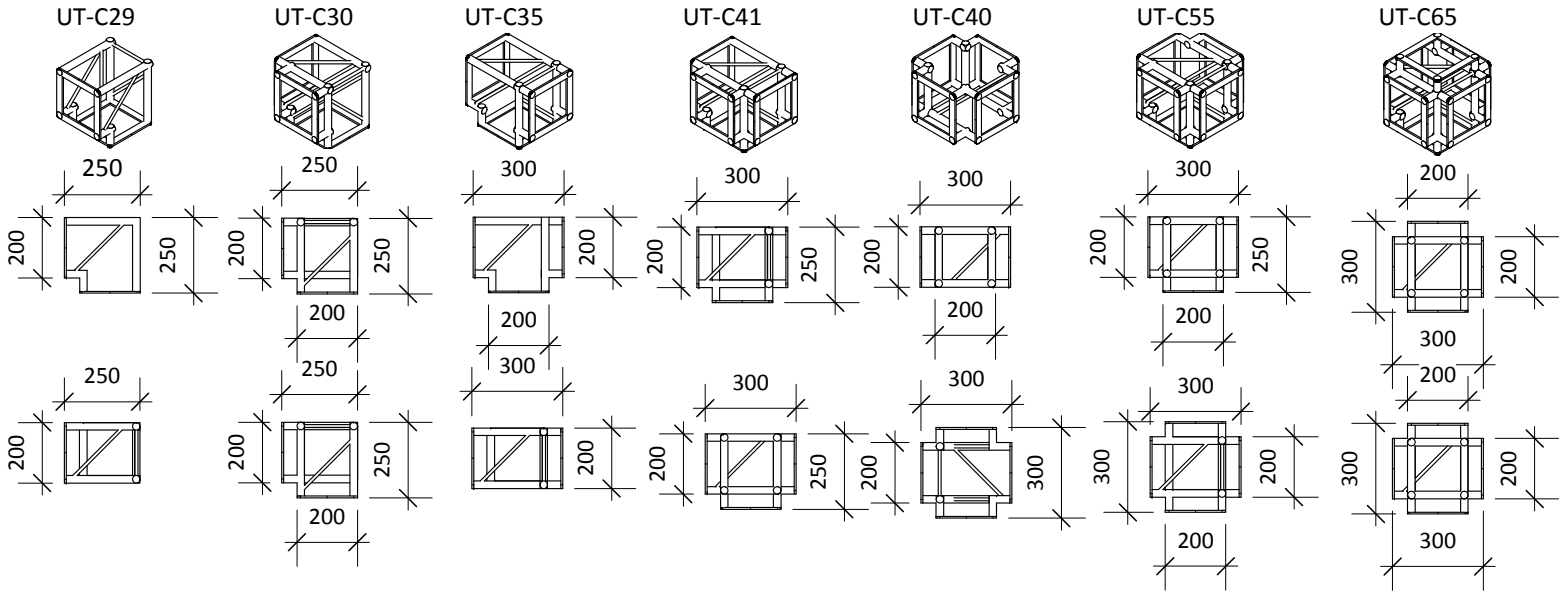
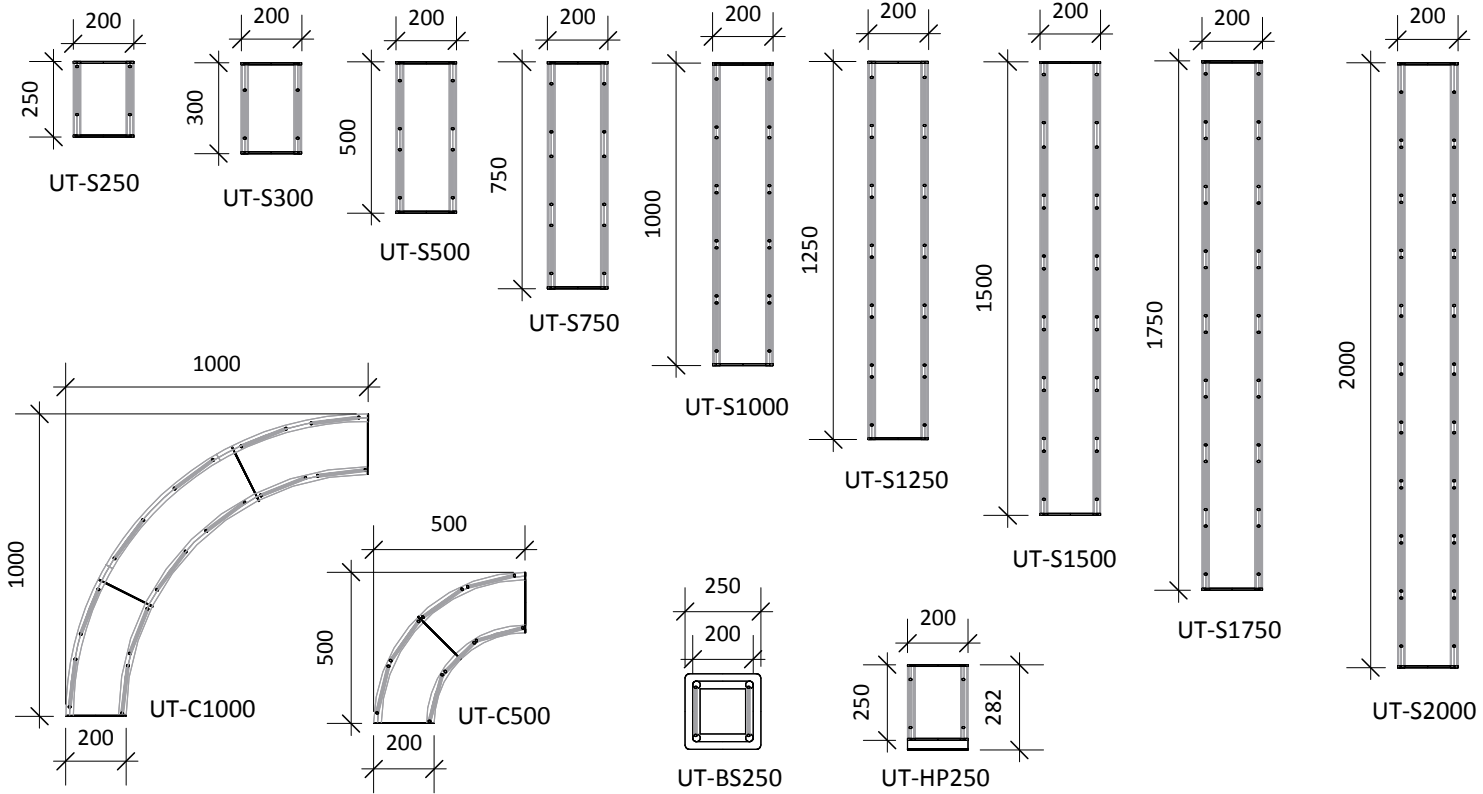


Gantry Range - MEASUREMENT DETAILS



ISOMETRIC VIEW

SIDE VIEW

PLAN VIEW