

## SWAP SPECIFICATIONS

### Swap - Visual Panel Area

750 x 500mm

## SYSTEM SIZES

### BOXED SIZE

#### Swap

935 (H) x 585 (W) x 85 (D) mm  
560 (H) x 485 (W) x 120 (D) mm

### ASSEMBLED SIZE

#### Swap

915 (H) x 585 (D) x 475 (D) mm

### BOXED WEIGHT

Swap 11.8kg

## COMPONENT LIST

### Swap

- 1 off recycled PVC base
- 1 off aluminium panel
- 1 off steel frame
- 1 off 4mm allen key

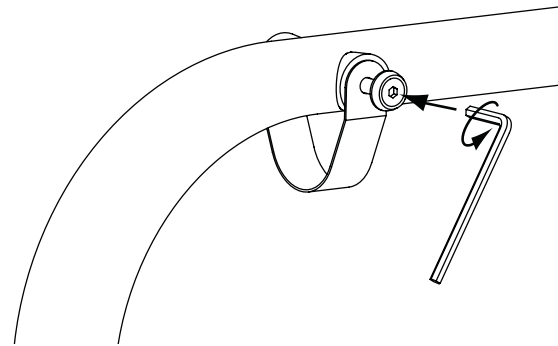
Items attached to steel frame:

- 2 off panel hanging clip
- 4 off screw
- 4 off saddle washer
- 4 off finishing washer

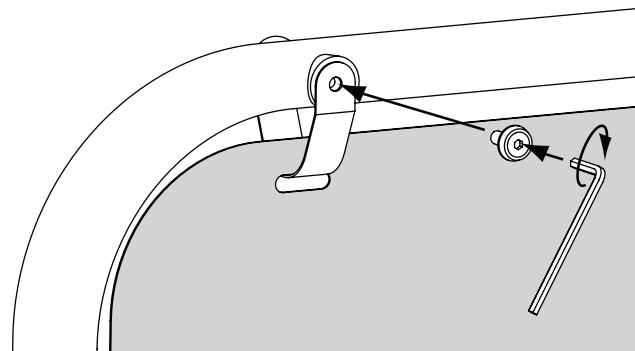
See overleaf for Switch specifications and components list

## SWITCH/SWAP - PANEL ATTACHMENT

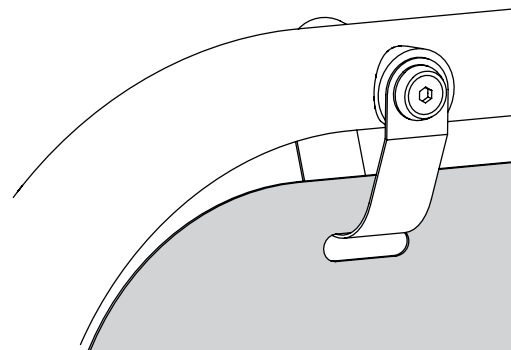
- A** Remove screw and fixings from one side of each panel hanging clip using a 4mm allen key.



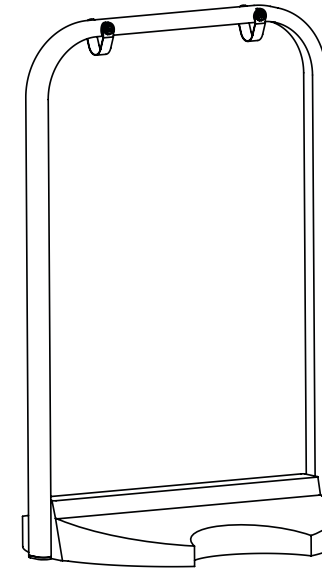
- B** Locate panel onto the panel hanging clips. Reassemble the panel hanging clips using the screws and fixings.



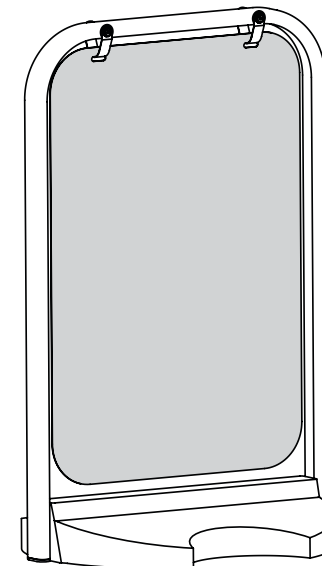
- C** Reassembled panel hanging clip.



## SIGN WITHOUT PANEL



## SIGN WITH PANEL ATTACHED



## SWITCH SPECIFICATIONS

### Switch - Graphic Panel Size

A2 (594 x 420mm)

### Switch - Visual Area

574 x 400mm

## SYSTEM SIZES

### BOXED SIZE

#### Switch

935 (H) x 585 (W) x 85 (D) mm  
560 (H) x 485 (W) x 120 (D) mm

### ASSEMBLED SIZE

#### Switch

915 (H) x 585 (D) x 475 (D) mm

### BOXED WEIGHT

Switch 11.8kg

## COMPONENT LIST

### Switch

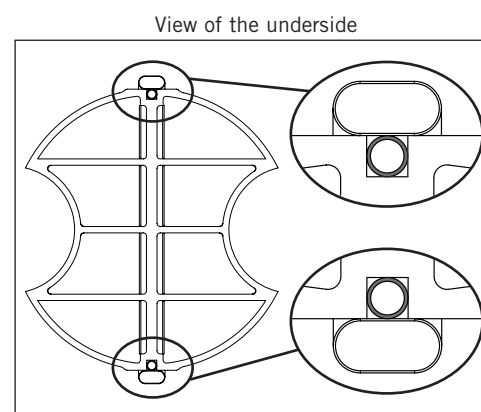
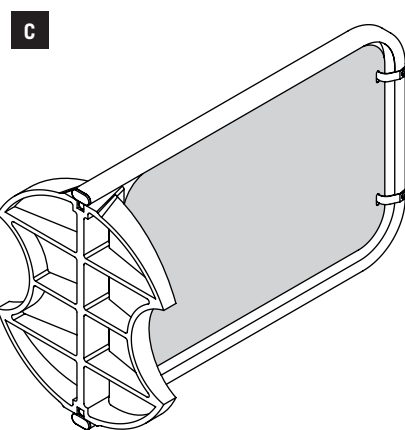
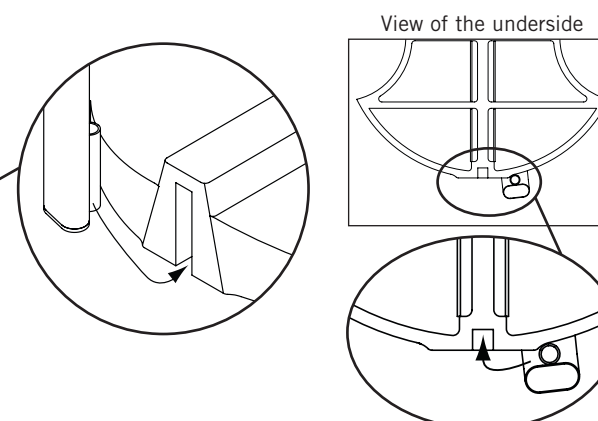
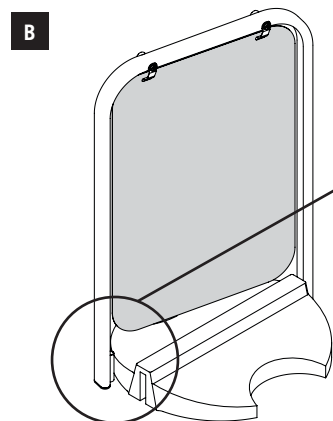
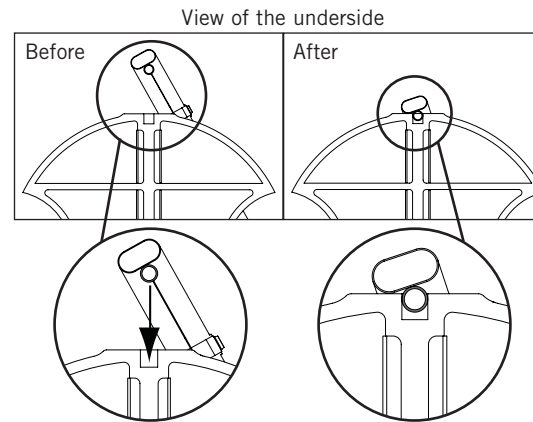
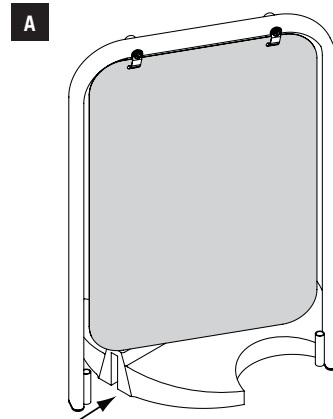
- 1 off recycled PVC base
- 1 off flexible pocket
- 1 off steel frame
- 1 off 4mm allen key

### Items attached to steel frame:

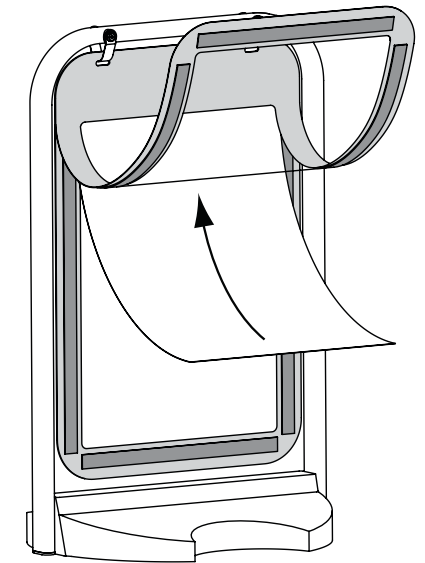
- 2 off panel hanging clip
- 4 off screw
- 4 off saddle washer
- 4 off finishing washer

See overleaf for Swap specifications and components list

## SWITCH/SWAP - ASSEMBLY



## SWITCH - ADDING GRAPHICS



## SWITCH/SWAP - FULLY ASSEMBLED

