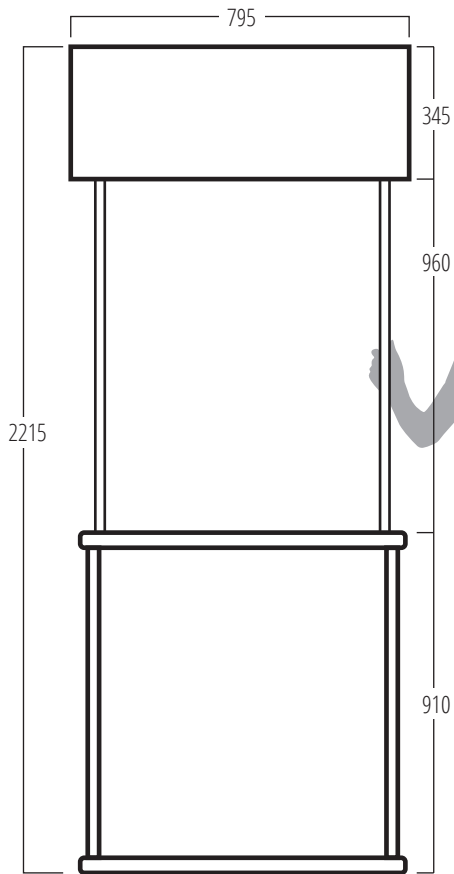


Weights in Kg

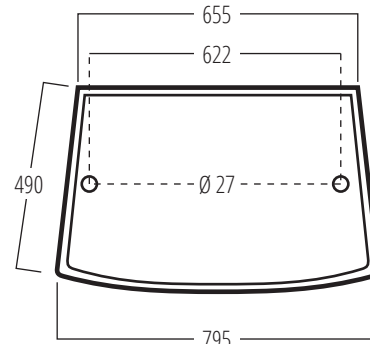
Rigid Top	1.52
Top	1.14
Shelf	1.12
Bottom	1.14
Body Panel & Graphic Rails	4.28
Pole Set (four pieces) R	1.80
Header	0.73
Bag	1.04

Packaging in Kg

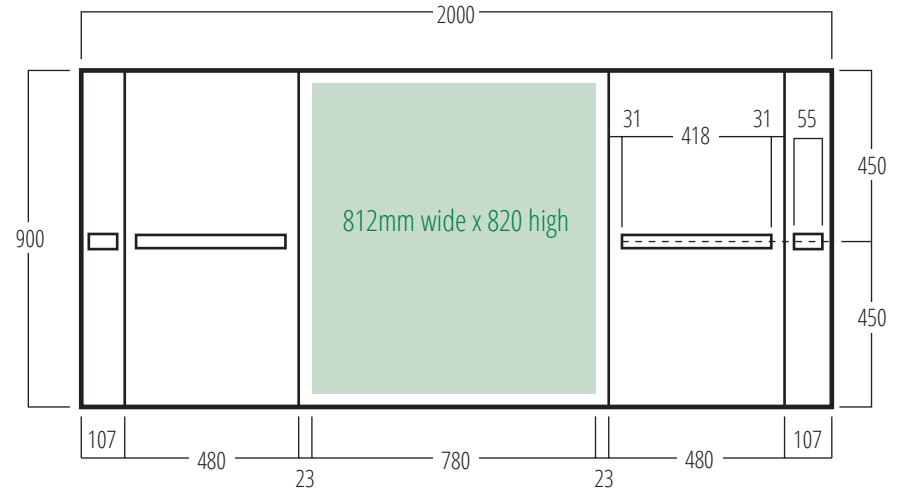
Individual reusable carton	1.94
External size: 925(w) x 845(d) x 117(h)mm	



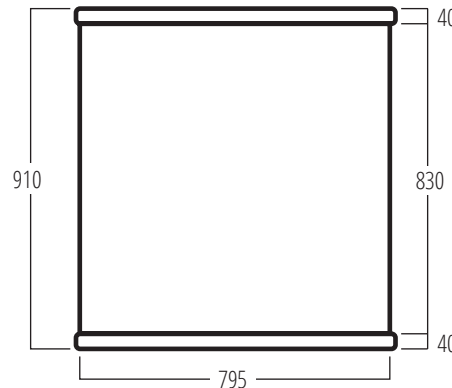
Unit and Header



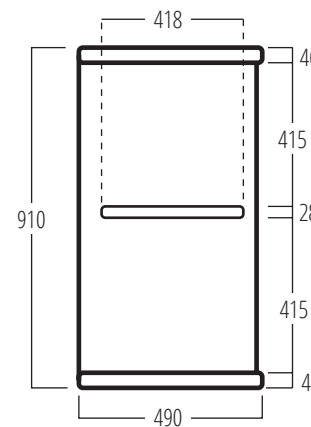
Top



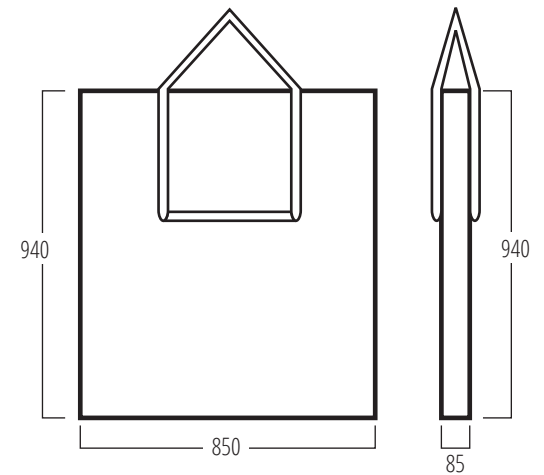
Graphic Size for Unit
Allow 37.5mm for top and bottom



Front



Side



Carry Bag