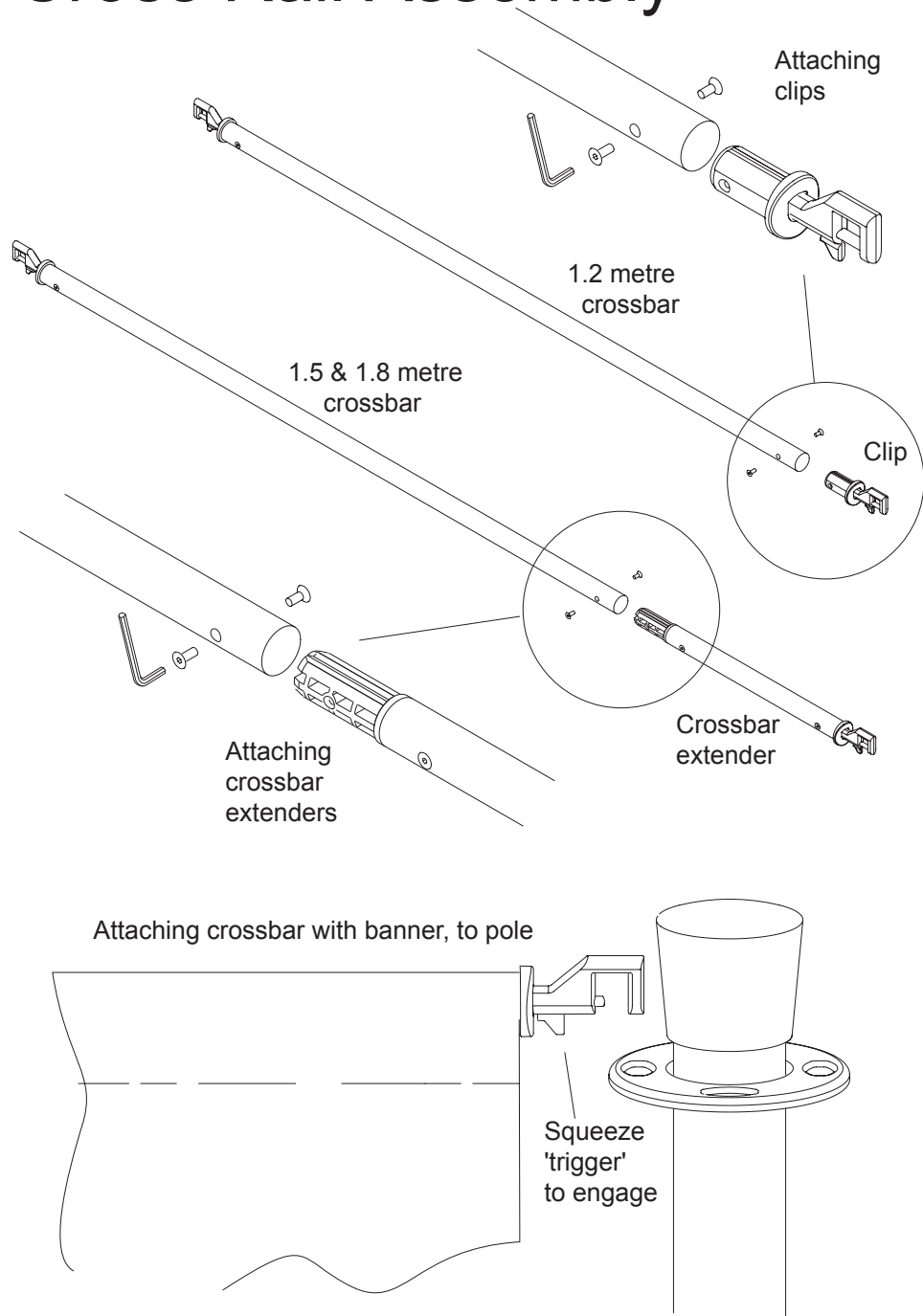


# Cross Rail Assembly



# Pole Assembly

