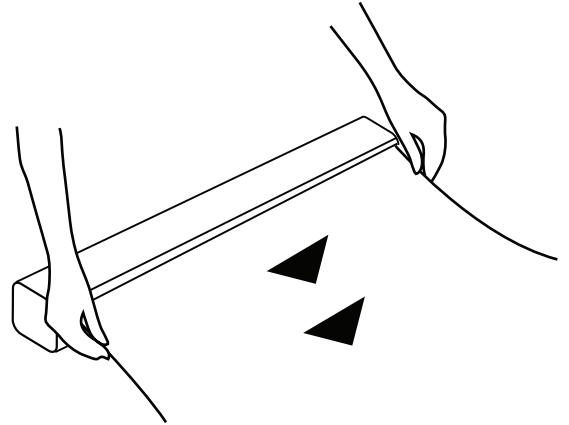


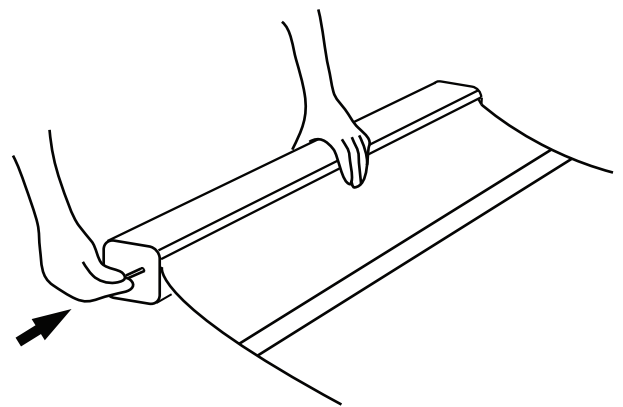
Picture change

A: Remove the old picture

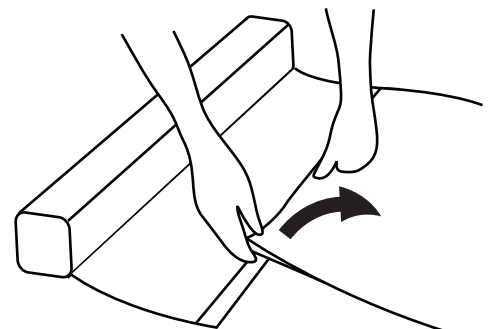
1. Pull out the image until the edge of picture and the plastic sheet are fully visible.



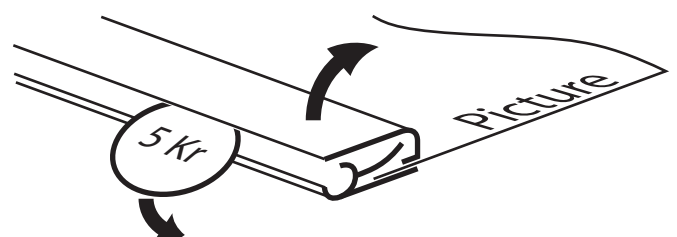
2. By moving the image slightly “back and forward” locate the pin hole and insert the pin.
DANGER: Make sure the pin is FULLY inserted before letting go of the image.



3. Remove the image from the plastic sheet carefully, making sure not to damage the plastic sheet. Pay attention not to get dirt etc. on the adhesive tape before putting on a new image.



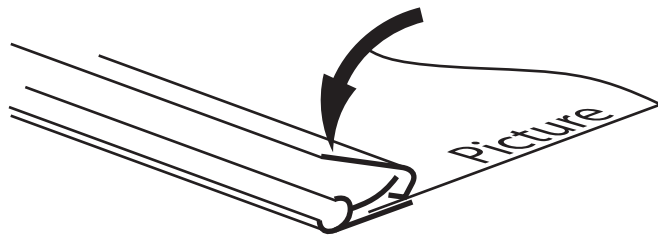
4. Remove the top profile by carefully opening it with a coin or any other pointy object. The product is now ready to be reequipped with a new image.



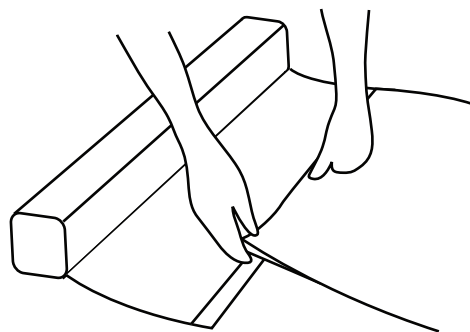
Picture change

B: Mount new picture

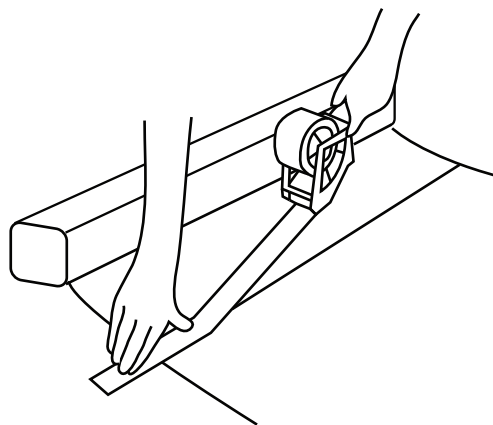
1. Insert the image into the slot of the top profile. Secure it by closing the profile. Make sure to apply enough pressure to assure secure mounting.



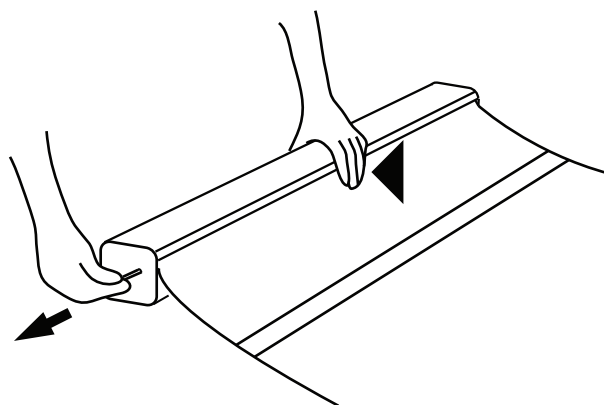
2. Mount the image with the picture facing up. Attach it to the adhesive tape on the plastic sheet. Make sure to align the image edge with the printed "guide line".



3. **IMPORTANT:** Apply thin packing tape over the joint



4. With one hand firmly holding the image, remove the locking pin with the other. The product is now activated and should therefore be handled with care!!!



5. Using both hands, carefully ease the image into the casing. The product is now ready to use.

